

WV-BP330 Series Black-and-White CCD Cameras

- WV-BP330 (120VAC)
- WV-BP332 (12VDC)
- WV-BP334 (24VAC)

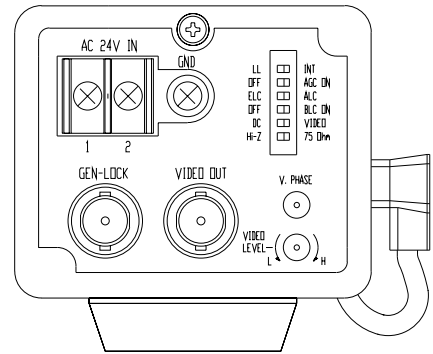
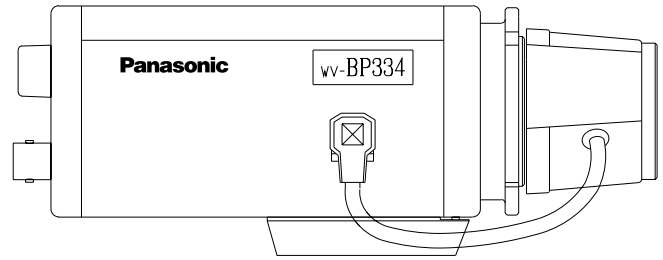


Lens optional

PRODUCT FEATURES

- Digital signal processing for superior edge enhancement and detail reproduction
- 1/3" interline transfer CCD, 768(H) x 494(V) pixels
- High sensitivity 0.08 lux (.008 fc) at f/1.4
- 570-line horizontal resolution and a S/N ratio of 50dB
- Back Light Compensation (BLC) function
- VD2 lock for roll-free camera switching over a single coaxial cable when used with Panasonic Matrix System 500, 850 and Multiplexer System 400 or data multiplex unit WJ-MP404

The 1/3" CCD Digital Signal Processing B/W WV-BP300 series cameras deliver high-quality pictures, versatile digital functions, and system integration capability.



WV-BP334 (rear)

